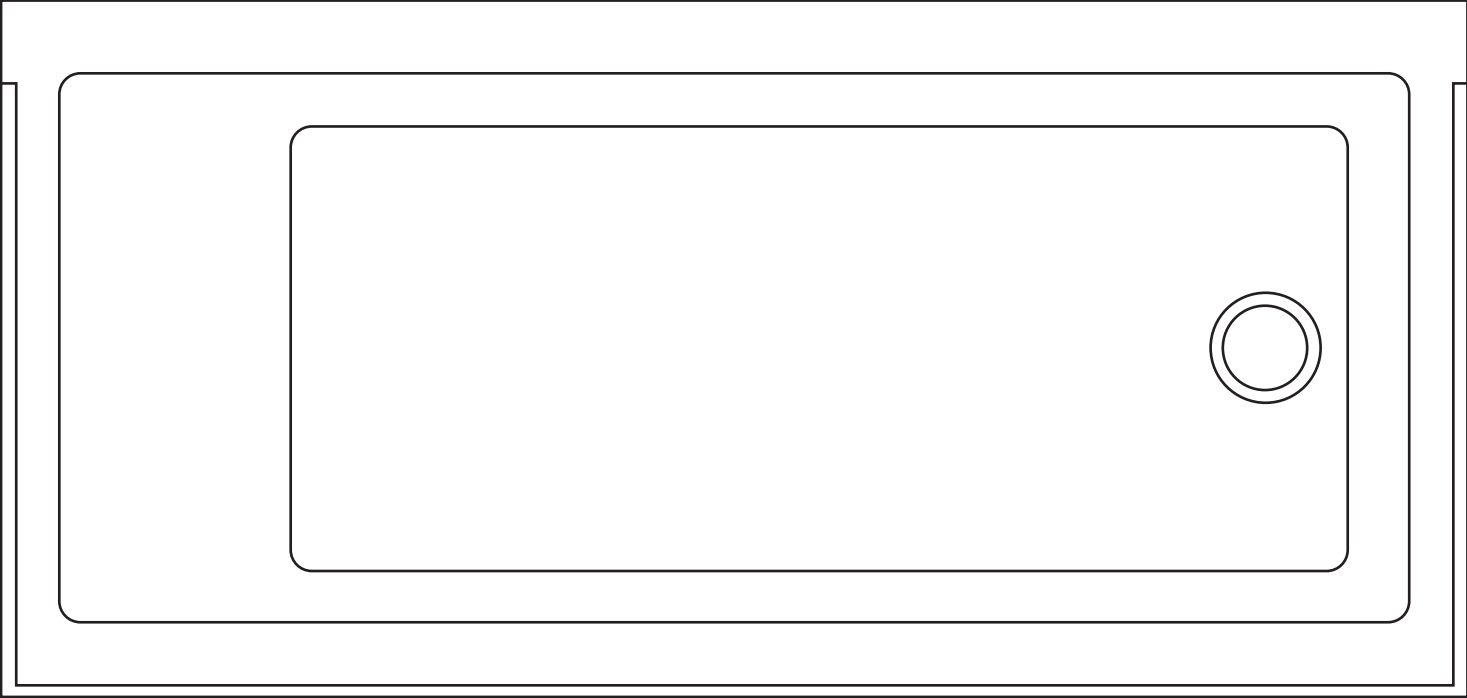


# INSTALLATION INSTRUCTIONS

---

## Drop-in Bathtub

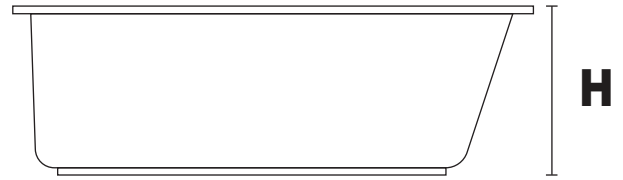
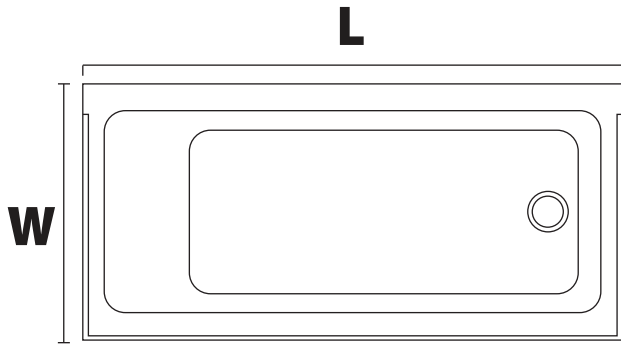




## Prior to Installation:

- Inspect bathtub to ensure no damages have occurred while in shipping
- Observe all plumbing and building codes in accordance with your state and local requirements
- Additional floor and wall preparations may be necessary to avoid damage to the product
- To ensure this product is installed properly, please read all instructions before you begin
- Professional help is recommended

**General Recommendations:** Read installation and maintenance instructions thoroughly before installing the tub. Be sure to use proper tools and always wear proper personal safety accessories for your protection.



## SUGGESTED TOOLS AND MATERIALS



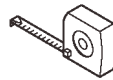
Safety Glasses



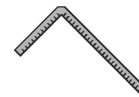
Utility Knife



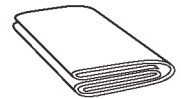
Pencil



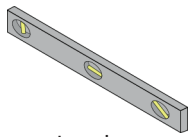
Tape Measure



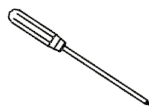
Square



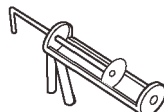
Drop Cloth



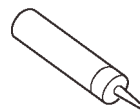
Level



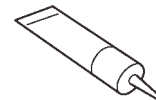
Screwdriver



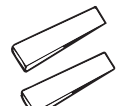
Caulk Gun



Adhesive  
1 tube



Sealant  
1 tube



Shims



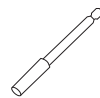
Drill  
5mm Drill Bit



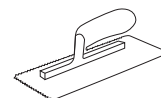
30mm Screws  
(Zinc/Stainless;  
Plain/Roundhead)



Phillips Bit



Extension Bit  
Holder  
(for use with  
Phillips Bit)



1/4" V-Notched  
Trowel

**CAUTION: PRODUCT IS FRAGILE. TO AVOID BREAKAGE AND POSSIBLE INJURY HANDLE WITH CARE.**

NOTE: Pictures may not exactly define contour of china and components.



**WARNING: All plumbing installations must be done in accordance to legal regulations.**



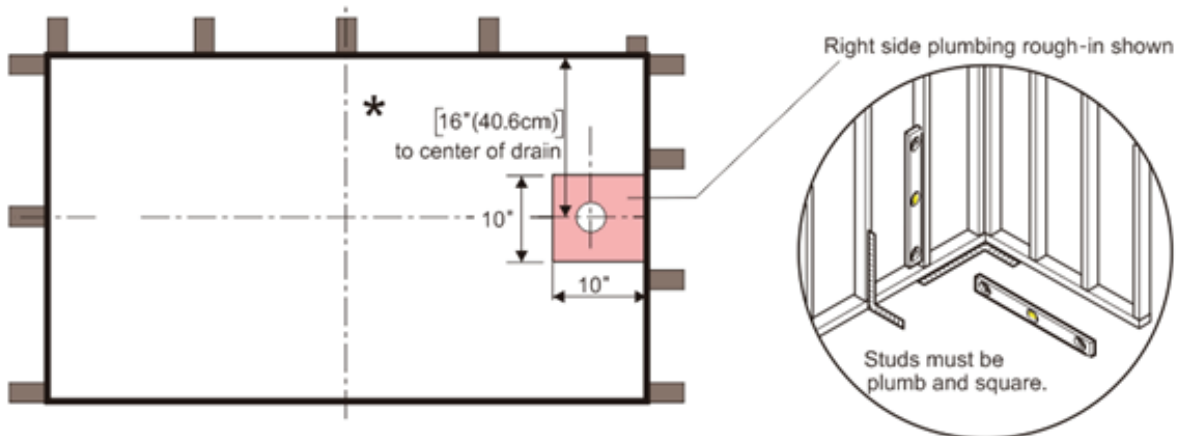
1. Read the complete instruction manual before beginning installation.
2. Confirm that your model will fit in intended location and plumbing fixtures are located where legally required before beginning installation.
3. Not all drawings on this manual are drawn to scale. Please refer to the model chart.
4. Walls and sub-floor must be solid, and square.
5. Always use drop cloth to protect bathtub from damage during installation.
6. **Two people must be used at all times to move and install bathtub.**



**ATTENTION! Before installing the bathtub:**

- Make sure all wood studs and supports are properly installed.
- Verify all the necessary plumbing is installed by a certified plumber.
- Floor drain and trap are not included. Make sure to install according to local and legal regulations.

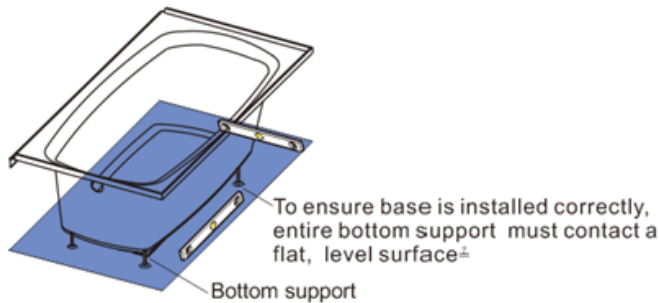
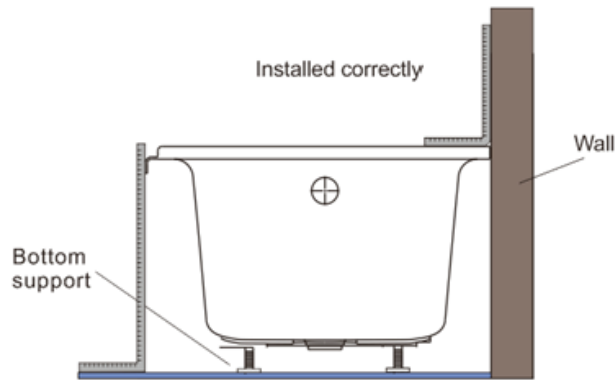
## 1. Roughing-in Drain and Bathtub



\* Rough plumbing must be installed before bathtub installation.

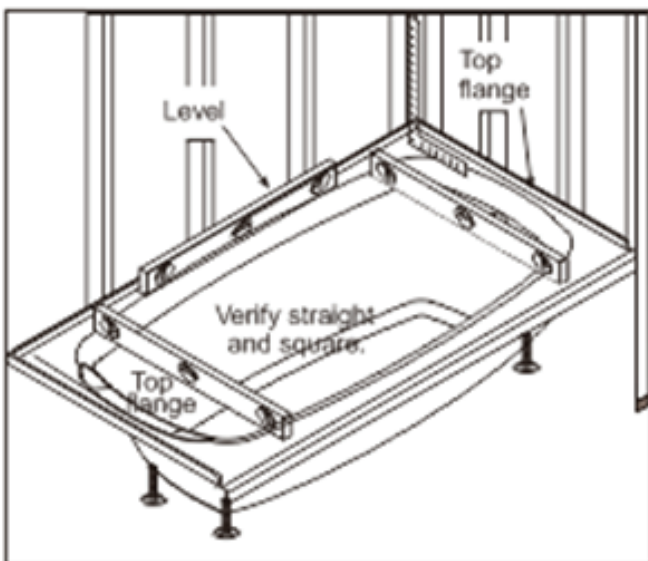
\* Floor drain and trap are not included. Make sure to install according to local and legal regulations.

## 2. Position Tub

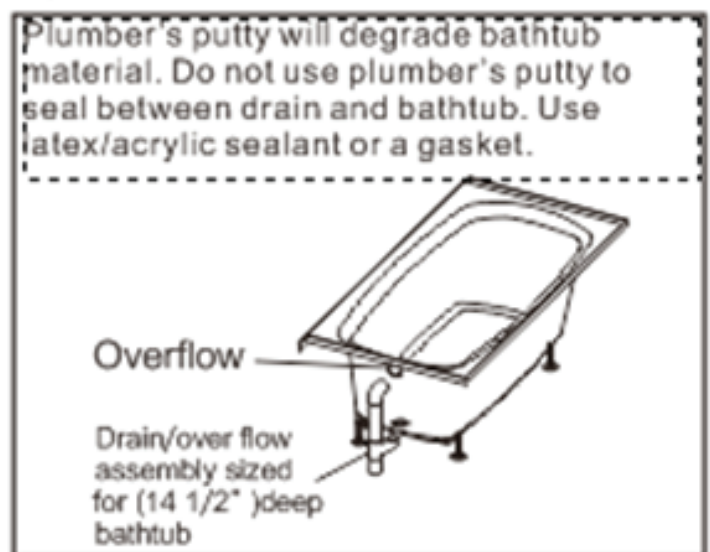


- Do not install the product with any air gaps under the bottom support or product damage will occur.
- TIP: If installation surface is not level, use leveling compound or mortar bed for proper installation.

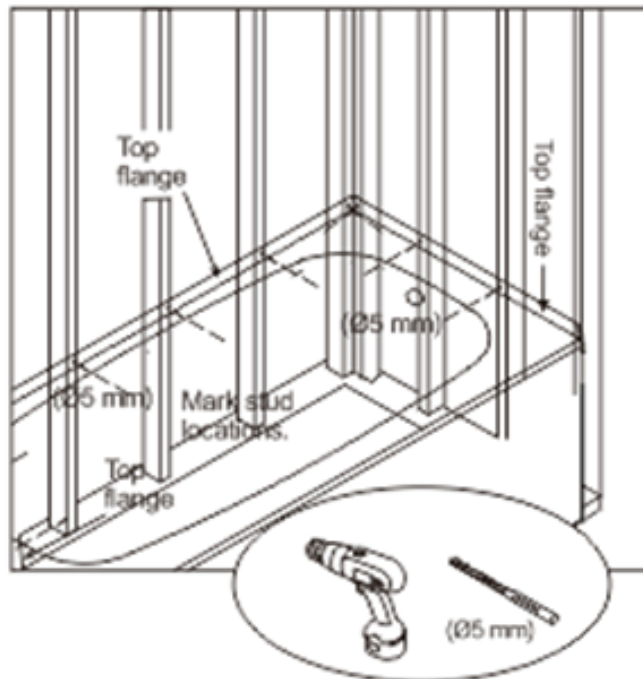
## 3. Ensure Tub is Level



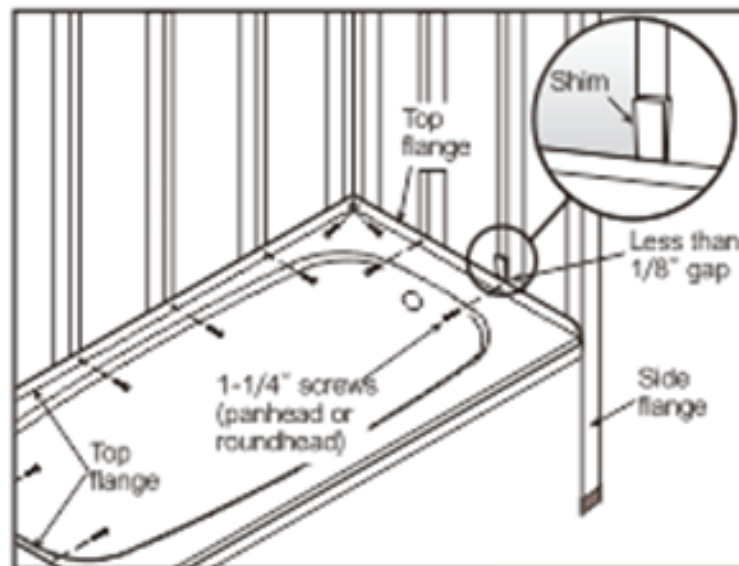
## 4. Drill and Install Plumbing Fixtures



#### 4. Mark and Pre-Drill Screw Hole Locations



#### 5. Finally Screw Into Place



- Lay mortar bed and carefully lower bathtub into predetermined location.
- Secure tub by screwing flange into the predrilled holes from step 4.
- TIP: Place drop cloth in bathtub and stand inside bathtub to press it into floor when securing to wall studs.