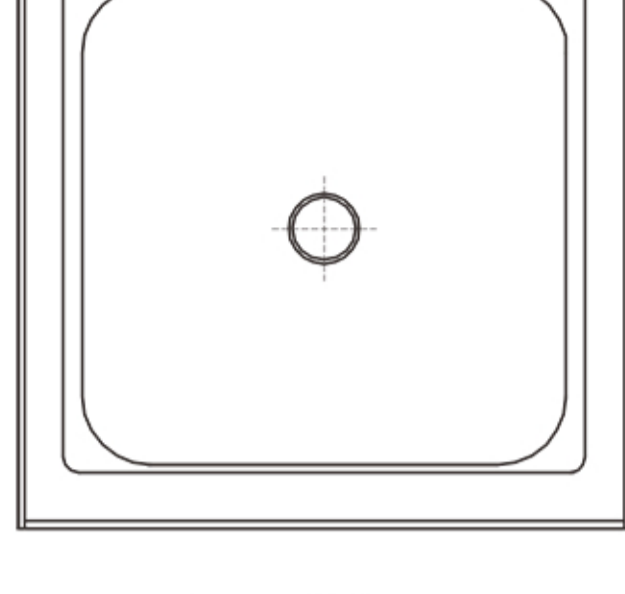


Retain these instructions for future use.

TECHNICAL DIMENSION

Technical dimension:



Top View

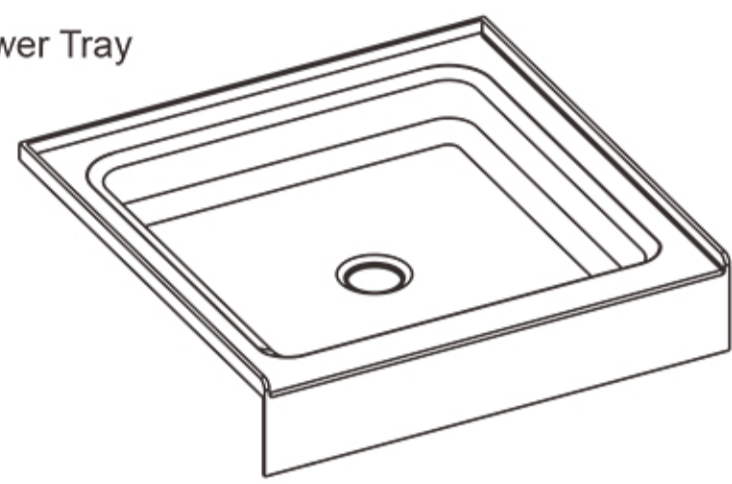


Front View

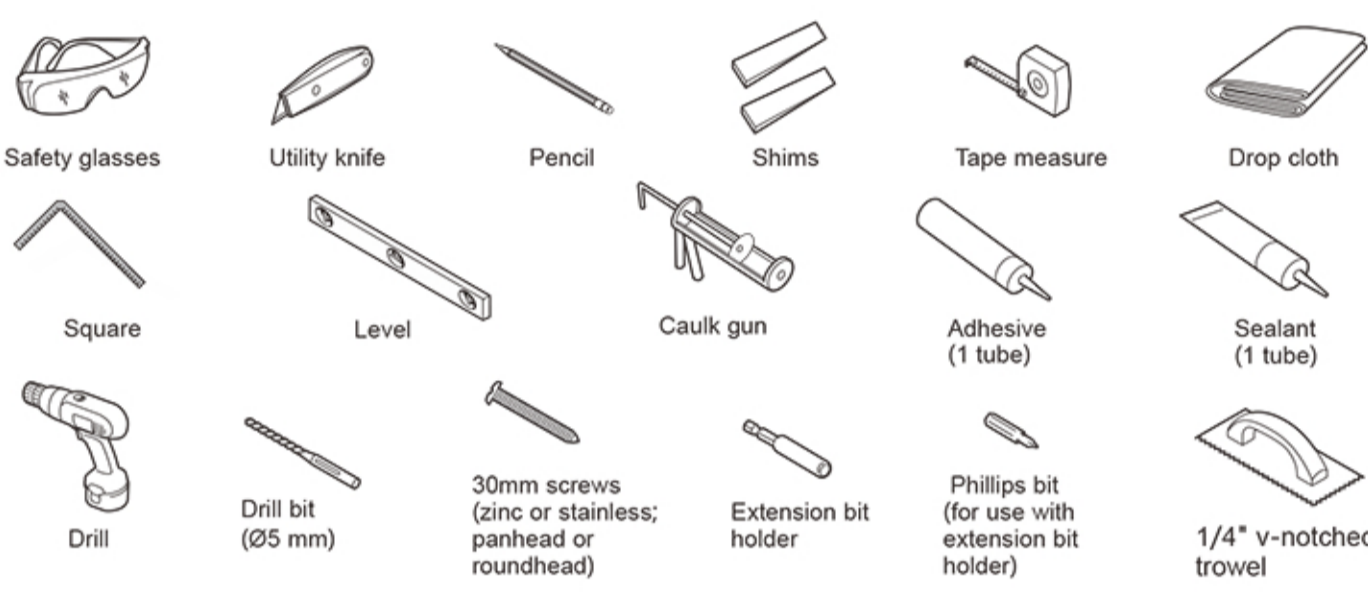
• 1

PARTS INCLUDED

Shower Tray



TOOLS AND MATERIALS REQUIRED



• Lumber for additional wall studs if installing wall set; refer to wall set installation instructions

TIP: You may want to install insulation

• 2

REQUIREMENTS FOR SUCCESSFUL INSTALLATION

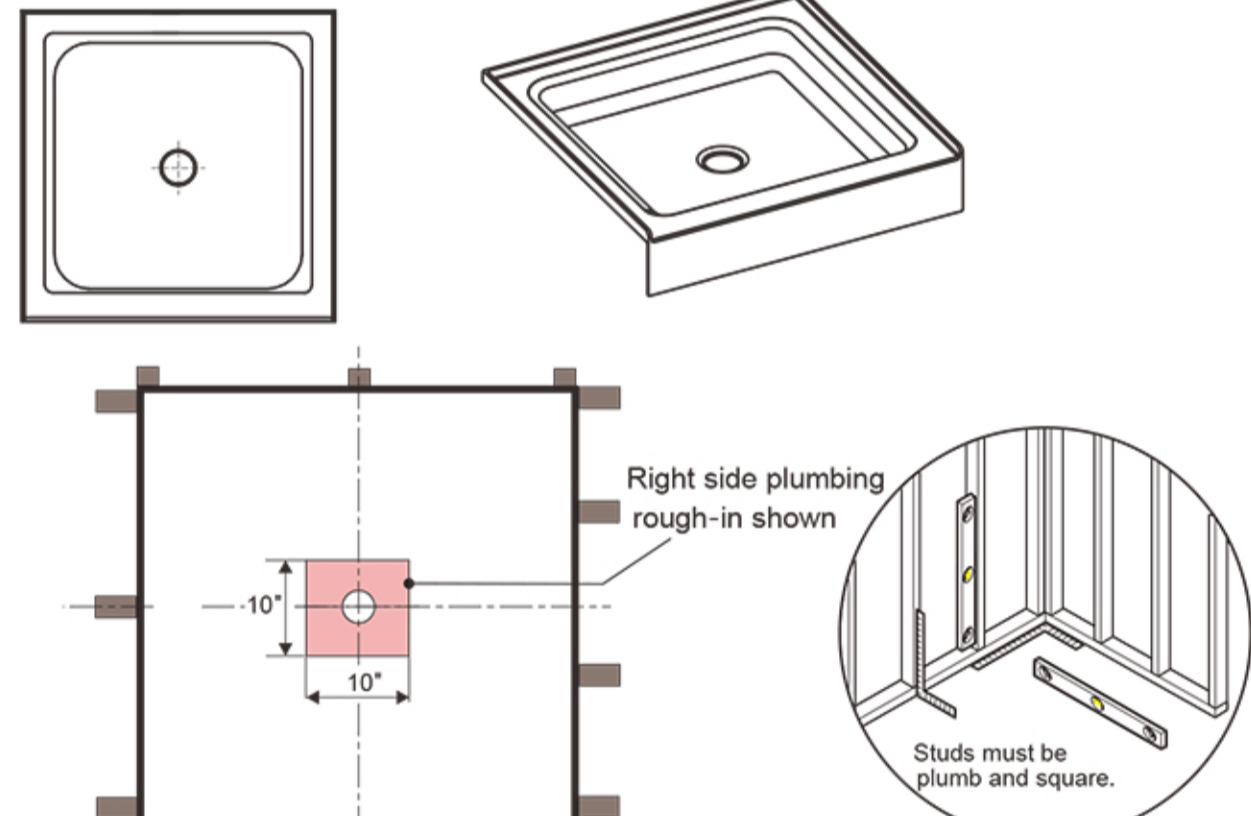


DO NOT :Use drywall screws to secure flanges to wall studs.
Product damage will occur and will void the warranty.

Entire bottom support must be in contact with a flat, level surface.

1. Read complete instructions before beginning installation.
2. Confirm that your model will fit in intended location and plumbing fixtures are located where required before beginning installation.
3. Walls and sub-floor must be solid, plumb, and square.
4. If installation surface is not level, use leveling compound or mortar bed for proper installation.
5. Use drop cloth to protect bathtub from damage during installation.
6. Two people recommended to install this product.

ROUGHING-IN



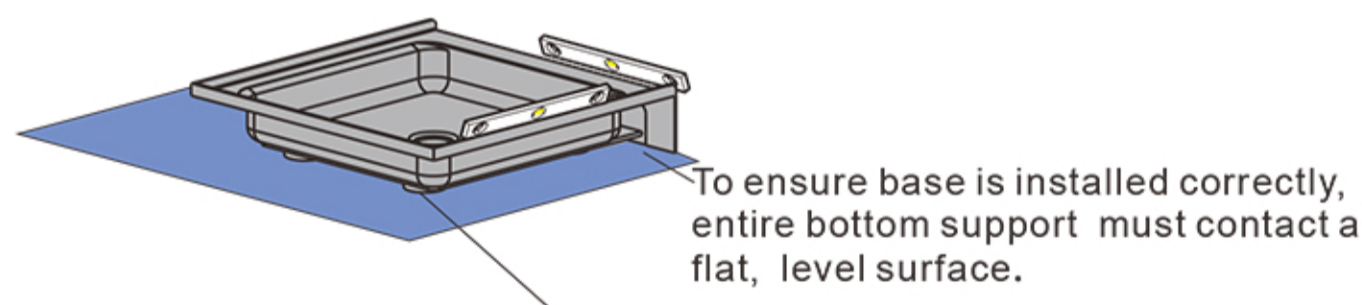
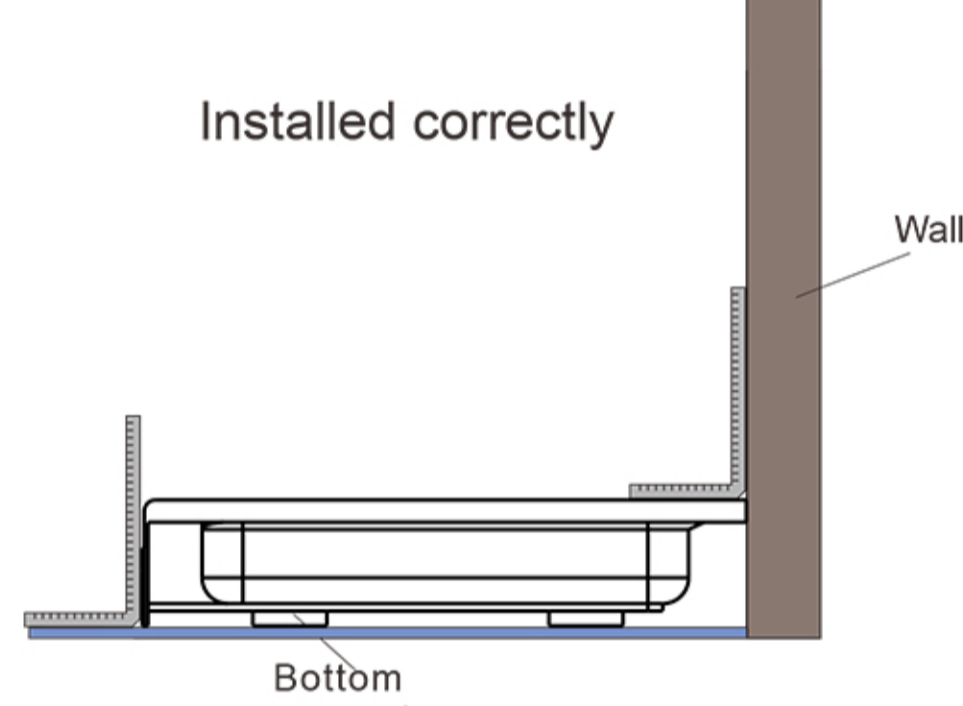
*Rough plumbing must be installed before bathtub installation.

• 3

INSTALLATION

A:

Installed correctly

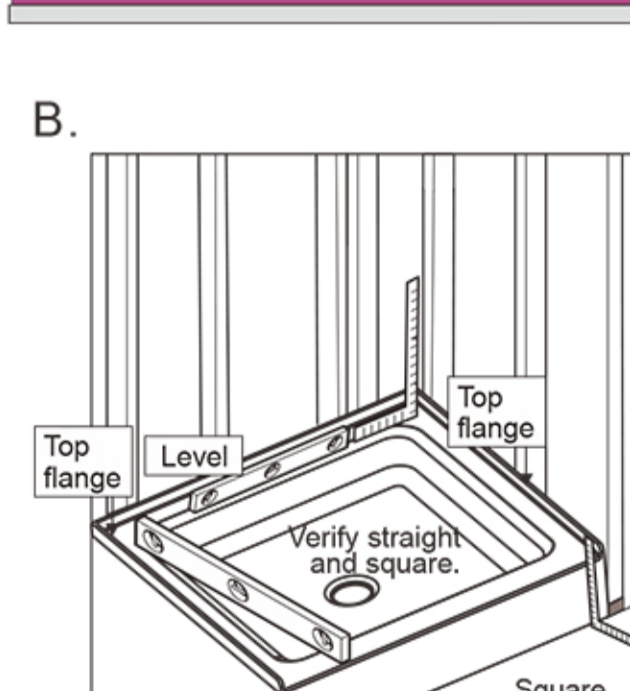


- Do not install the product with any air gaps under the bottom support or product damage will occur.
- **TIP:** If installation surface is not level, use leveling compound or mortar bed for proper installation.

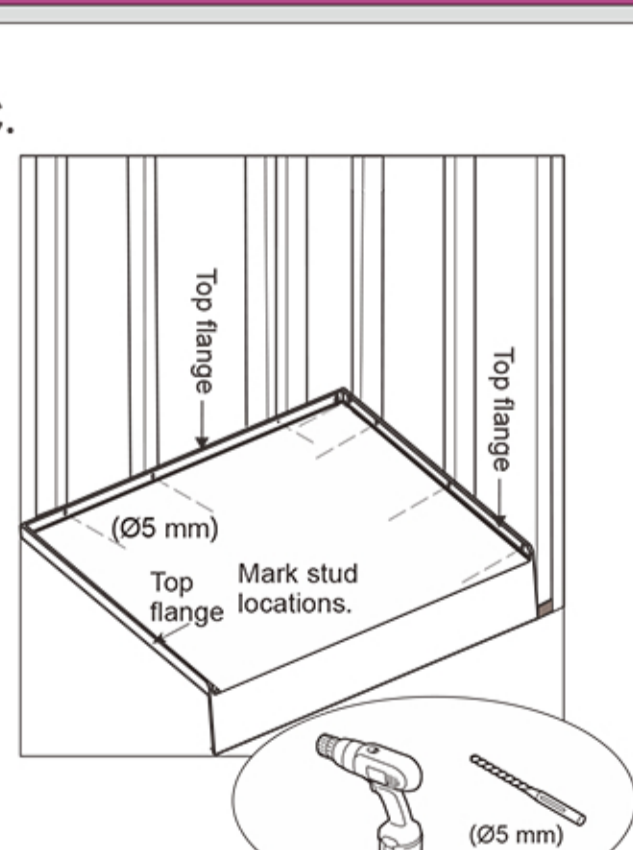
• 4

INSTALLATION

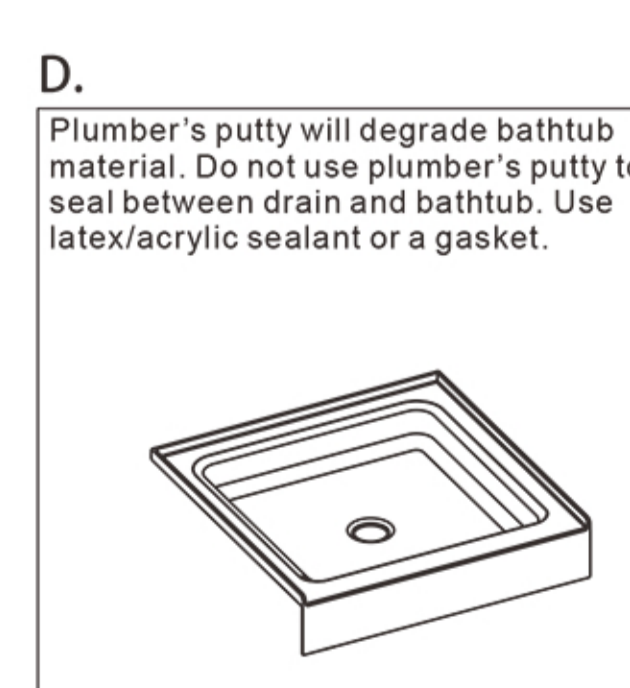
B.



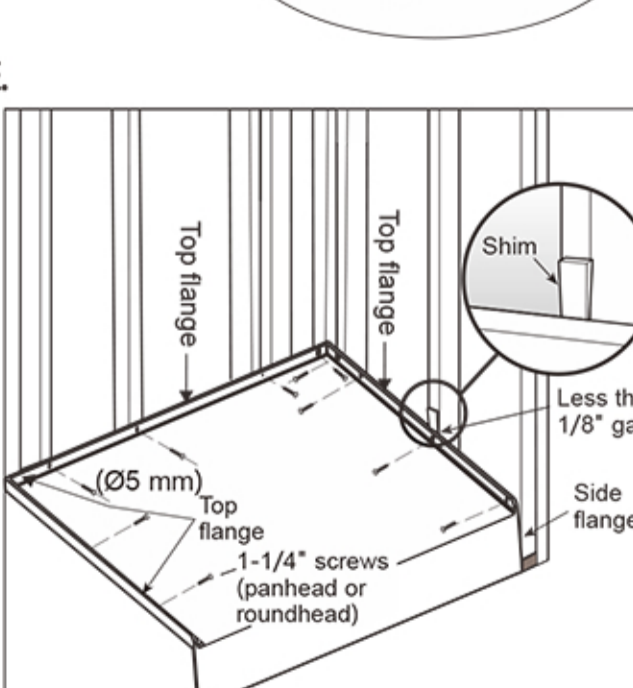
C.



D.



E.



TIP: Place drop cloth in bathtub and stand inside bathtub to press it to floor when securing to wall studs.

• 5

LIMITED WARRANTY

Please refer to the product label to outline your model's limited warranty period. The manufacturer warrants to the original consumer purchaser that its products will be free of defects in materials and workmanship, subject to the limitations, exclusions and conditions that follow, from date of original purchase as shown on purchaser's receipt. The manufacturer will, at its discretion, replace or repair FREE OF CHARGE except as noted below, during the warranty period, any part that the manufacturer determines to be defective in material and/or workmanship under normal installation, use and service. The original consumer purchaser must notify the manufacturer in writing of any defect covered by the warranty.

THIS WARRANTY IS THE ONLY EXPRESS WARRANTY MADE BY THE MANUFACTURER. ANY CLAIMS MADE UNDER THIS WARRANTY MUST BE MADE DURING THE PERIOD REFERRED TO ABOVE. MANUFACTURER MAKES NO IMPLIED WARRANTY OF MERCHANTABILITY OR FITNESS FOR A PARTICULAR PURPOSE. LABOR CHARGES AND/OR DAMAGE INCURRED IN INSTALLATION, REPAIR OR REPLACEMENT AS WELL AS INCIDENTAL AND CONSEQUENTIAL DAMAGES CONNECTED THEREWITH ARE EXCLUDED AND WILL NOT BE PAID BY THE MANUFACTURER.

Some states do not allow limitations on how long an implied warranty lasts, or the exclusion or limitation of incidental or consequential damages, so the above limitations or exclusions may not apply to you. This warranty gives you specific legal rights, and you may also have other rights which vary from state to state. This warranty is void for any damage to this product due to misuse, abuse, neglect, accident, improper installation, modification, unauthorized repair, or any use violative of instructions furnished by us.

• 6